

2

1

Table of contents:

- 2. PA
- 3. Controller
- 4. LPF

History of changes:

Rev 3.0

- added external control interface
- added 6m band LPF
- changed RX bypass
- added Q1 SMD thermo sensor

Rev 3.1

- U12-14 -3 & 4 pin swapped
- U10 replaced by BA00CC0WFP-E2
- R58 replaced by 10K
- R65 replaced by 3.3K
- X9 mirrored
- L7-L10 replaced by T68 coil ring
- X10 replaced by MCX right angle HJ-MCX016
- X1 X11 X12 replaced by KH-MCX-KE-Z

TITLE

ErmakPA-II

SIZE

A

DWG NO

REV

3.1

DRAWN BY

Sidorofff

SCALE

SHEET

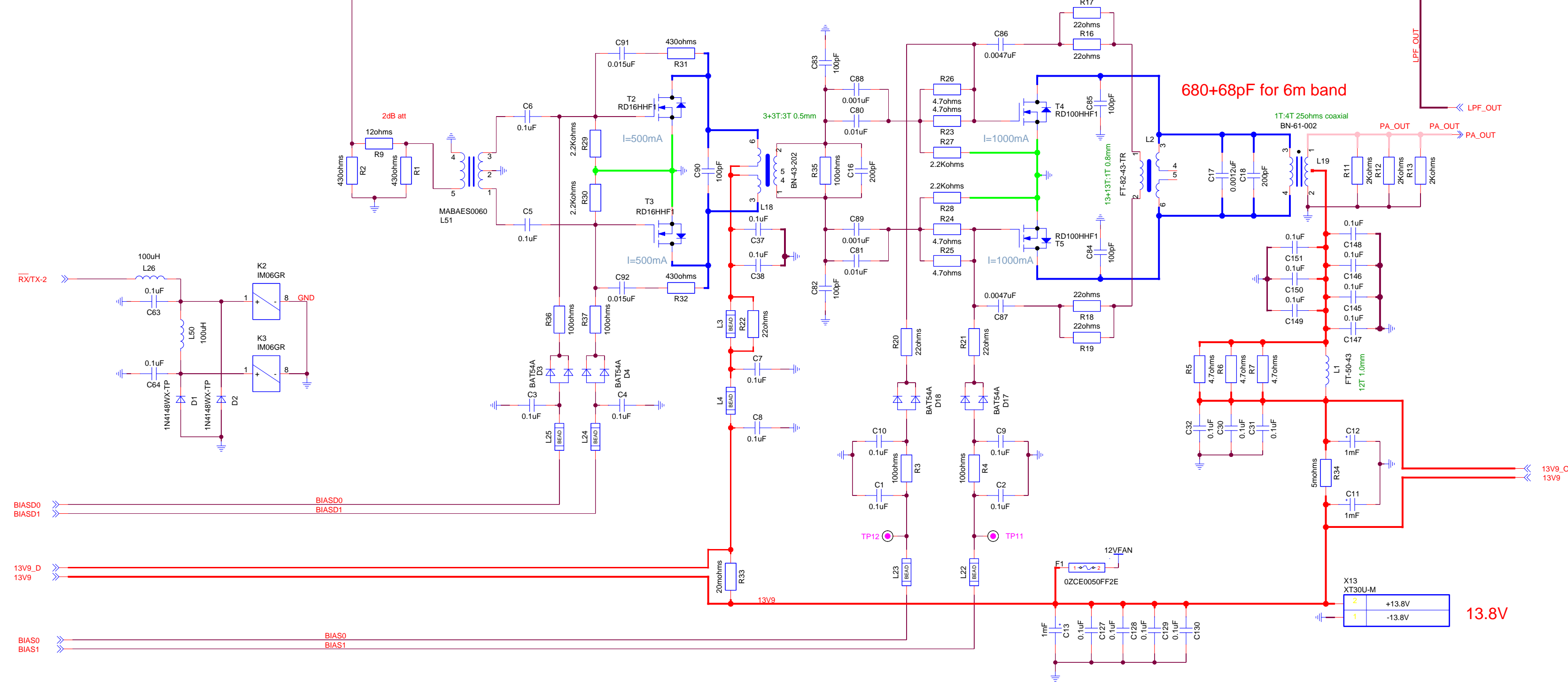
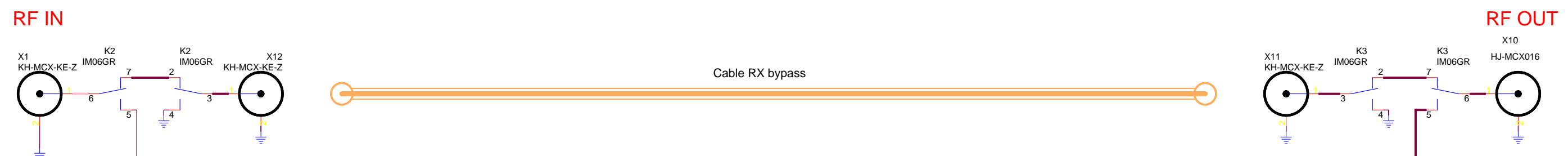
of

Table of contents

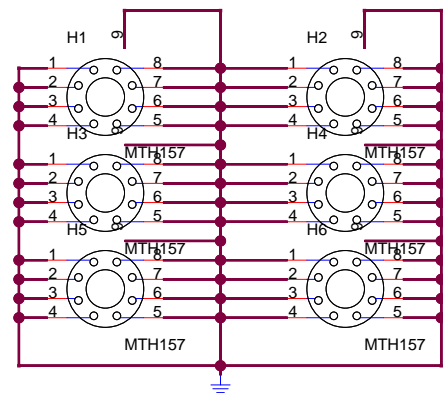
16/06/2022:20:10

2

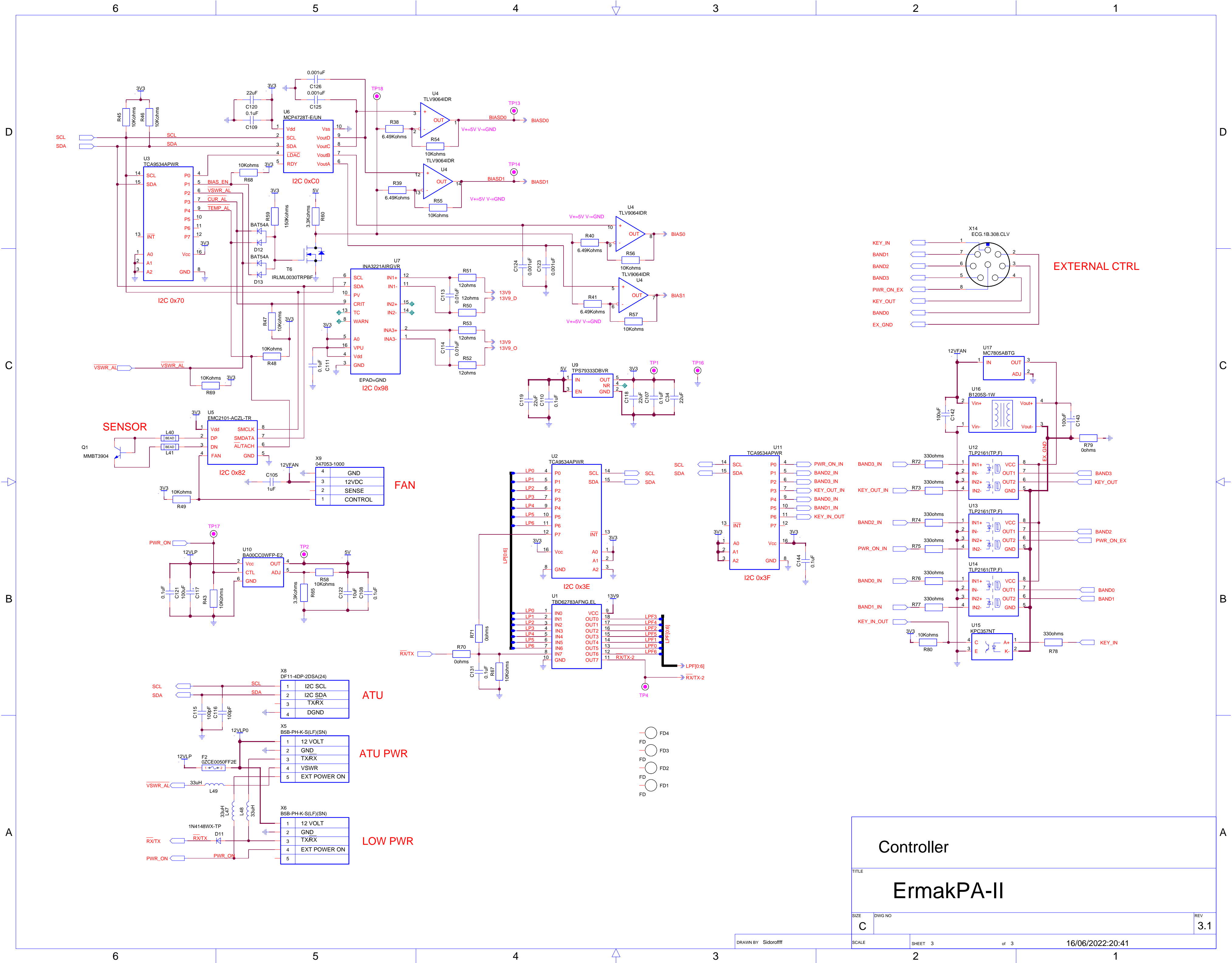
1



680+68pF for 6m band

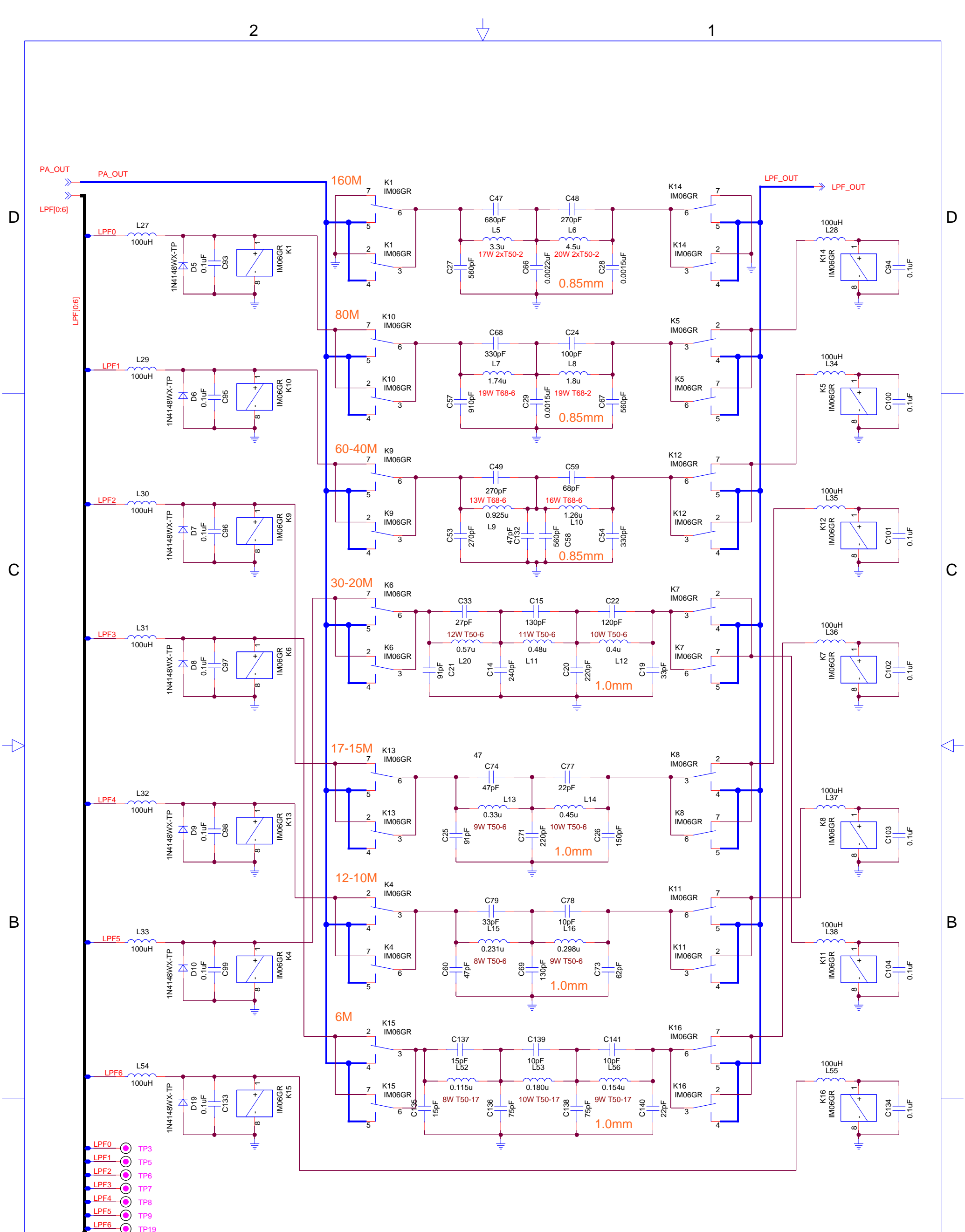


PA		Variant:	
TITLE ErmakPA-II			
SIZE C	DWG NO	REV 3.1	
SCALE	SHEET 2	of 2	
DRAWN BY Sidoroffff			
17/06/2022:11:48			



Controller	
TITLE	
ErmakPA-II	
SIZE	DWG NO
C	
SCALE	SHEET 3 of 3
	16/06/2022:20:41
	REV 3.1

DRAWN BY Sidorofff



- LPF0 TP3
- LPF1 TP5
- LPF2 TP6
- LPF3 TP7
- LPF4 TP8
- LPF5 TP9
- LPF6 TP19

LPF		
TITLE		
ErmakPA-II		
SIZE	DWG NO	REV
B		3.1
DRAWN BY	SCALE	SHEET
Sidorofff		4 of 4
		16/06/2022:20:36